

Custom-Printed Roll Stock

We meet industry standards ASTM D3078-94 for flexible packaging. Please contact your Inside Sales & Service Representative for further clarification.

1 Outside Diameter

The diameter of the printed material plus the core. Provide your maximum outside diameter (max OD) to ensure we produce rolls at the right size. OD's that are too large can be difficult to maneuver or may not fit on the equipment.

2 Roll Width

TOLERANCE OF +/- 1/16"

Width of the roll stock; also called Web Width.

3 Core Size

The hollow tube at the center of the roll used to mount onto the equipment. Roastar offers a 3" core.

4 Repeat Length

The length of one printed impression on the roll.

5 Color Tolerance

TOLERANCE OF 3 DELTA E

We use color matching software to help verify the press is calibrated for the correct color. In order to measure color accurately, we need at least .25" worth of solid area to target. We cannot measure color on patterns, gradients or metallic elements.

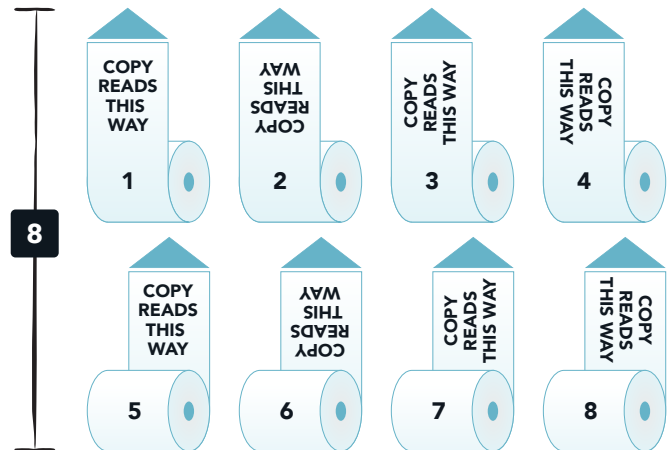
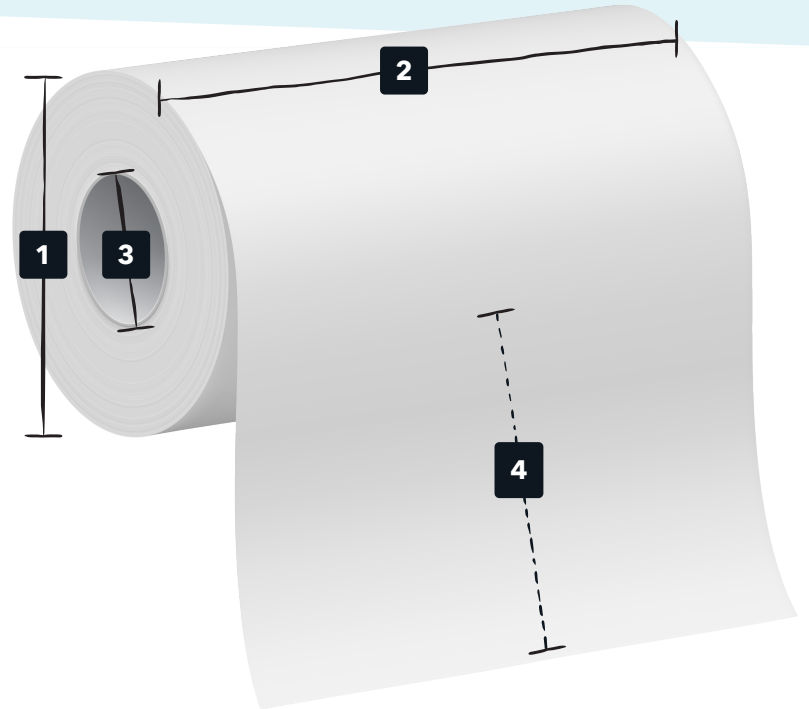
6 Storage & Fill Conditions

40-80°F AT 30-60% RELATIVE HUMIDITY

Storage conditions and filling temperatures outside of these ranges may affect material.

7 Quantity Tolerance

ORDER QTY	All Sizes
1,000+	+/- 5% PER DESIGN



8 Roll Unwind Direction

Also referred to as unwind direction, the rewind direction determines the orientation of the impression coming off the roll. Knowing your rewind direction ensures artwork reads the right way after it is formed and sealed.